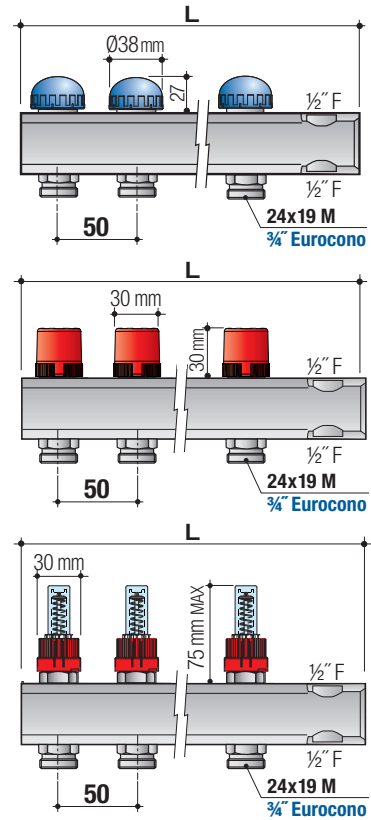


CONTROLLER

SINGLE BAR DISTRIBUTION BRASS MANIFOLD



The dimensions given are valid for all the models listed below; the value **L** will vary depending on the number of ways fitted to the manifold (see corresponding table).



Components

Material

- 1 Manifold
- 2 Seals

UNI EN 12168 CW614N
EPDM

All manifold distribution Controller and accessories are nickel plated.

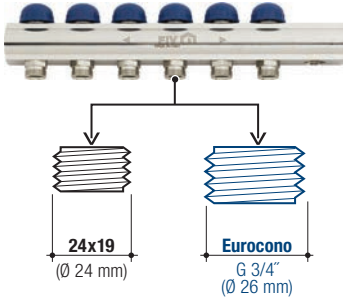
EN GENERAL CHARACTERISTICS

Main connection 1"
Connection for seals 24x19 or 3/4" Eurocono
Centre distance 50 mm

OPERATING CONDITIONS

Maximum working temperature: +110 °C (+90 °C with flow meters)
Maximum working pressure: 10 bar (6 bar with flow meters)
Instructions and diagrams in the Technical Attachments.

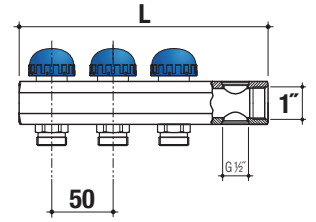
GP 2750
CONTROLLER



Takeoffs at 50 mm centres with valves (return).

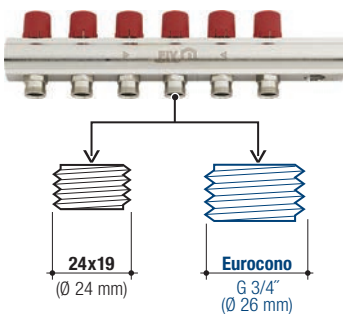
1" return manifold nickel-plated, 24x19 or 3/4" Eurocono takeoffs, complete with manual valves with valve-caps, set up to take electrothermic heads, and with additional connections for bleed valve and drain cock.

(*) Available only on request.



CODE	Model	L mm	Takeoff	Pack pcs/box
9779R002	2 WAYS - 1"	164	24x19	2
9779R003	3 WAYS - 1"	214	24x19	2
9779R004	4 WAYS - 1"	264	24x19	2
9779R005	5 WAYS - 1"	314	24x19	2
9779R006	6 WAYS - 1"	364	24x19	2
9779R007	7 WAYS - 1"	414	24x19	2
9779R008	8 WAYS - 1"	464	24x19	2
9779R009	9 WAYS - 1"	514	24x19	2
9779R010	10 WAYS - 1"	564	24x19	2
9779R011	11 WAYS - 1"	614	24x19	2
9779R012	12 WAYS - 1"	664	24x19	2
9780R002	2 WAYS - 1" (*)	164	Eurocono	2
9780R003	3 WAYS - 1" (*)	214	Eurocono	2
9780R004	4 WAYS - 1" (*)	264	Eurocono	2
9780R005	5 WAYS - 1" (*)	314	Eurocono	2
9780R006	6 WAYS - 1" (*)	364	Eurocono	2
9780R007	7 WAYS - 1" (*)	414	Eurocono	2
9780R008	8 WAYS - 1" (*)	464	Eurocono	2
9780R009	9 WAYS - 1" (*)	514	Eurocono	2
9780R010	10 WAYS - 1" (*)	564	Eurocono	2
9780R011	11 WAYS - 1" (*)	614	Eurocono	2
9780R012	12 WAYS - 1" (*)	664	Eurocono	2

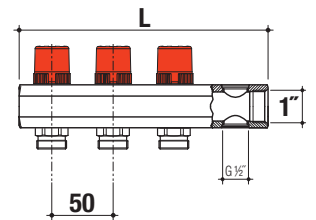
GP 2750
CONTROLLER



Takeoffs at 50 mm centres (flow).

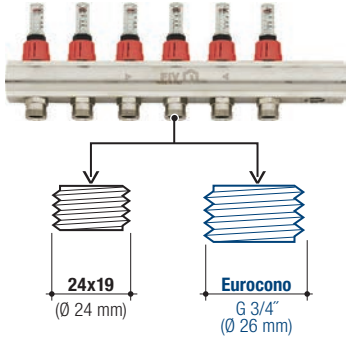
1" flow manifold nickel-plated, 24x19 or 3/4" Eurocono takeoffs, complete with double-adjustable lockshields and with additional connections for bleed valve and drain cock.

(*) Available only on request.



CODE	Model	L mm	Takeoff	Pack pcs/box
9867R502	2 WAYS - 1"	164	24x19	2
9867R503	3 WAYS - 1"	214	24x19	2
9867R504	4 WAYS - 1"	264	24x19	2
9867R505	5 WAYS - 1"	314	24x19	2
9867R506	6 WAYS - 1"	364	24x19	2
9867R507	7 WAYS - 1"	414	24x19	2
9867R508	8 WAYS - 1"	464	24x19	2
9867R509	9 WAYS - 1"	514	24x19	2
9867R510	10 WAYS - 1"	564	24x19	2
9867R511	11 WAYS - 1"	614	24x19	2
9867R512	12 WAYS - 1"	664	24x19	2
9868R502	2 WAYS - 1" (*)	164	Eurocono	2
9868R503	3 WAYS - 1" (*)	214	Eurocono	2
9868R504	4 WAYS - 1" (*)	264	Eurocono	2
9868R505	5 WAYS - 1" (*)	314	Eurocono	2
9868R506	6 WAYS - 1" (*)	364	Eurocono	2
9868R507	7 WAYS - 1" (*)	414	Eurocono	2
9868R508	8 WAYS - 1" (*)	464	Eurocono	2
9868R509	9 WAYS - 1" (*)	514	Eurocono	2
9868R510	10 WAYS - 1" (*)	564	Eurocono	2
9868R511	11 WAYS - 1" (*)	614	Eurocono	2
9868R512	12 WAYS - 1" (*)	664	Eurocono	2

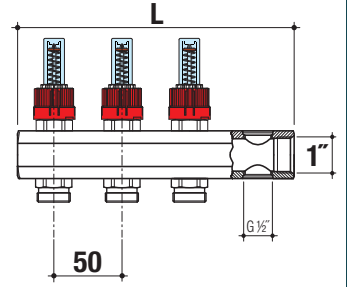
GP 2750
CONTROLLER



Takeoffs at **50 mm** with lockshields incorporating flow meters (flow).

1" Nickel-plated delivery manifold - takeoffs 24x19 or 3/4" Eurocono, including lockshields with incorporated flow meters 0÷4 l/min. and extra attachments for the bleed valve and drain cock.

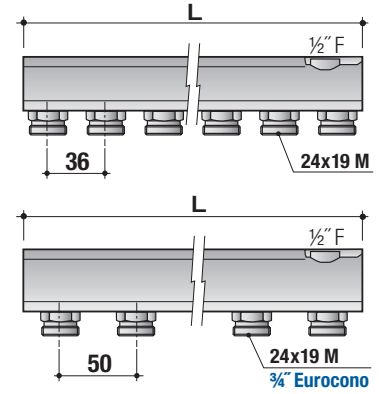
(*) Available only on request.



CODE	Model	L mm	Takeoff	Pack pcs/box
9867R002	2 WAYS - 1"	164	24x19	2
9867R003	3 WAYS - 1"	214	24x19	2
9867R004	4 WAYS - 1"	264	24x19	2
9867R005	5 WAYS - 1"	314	24x19	2
9867R006	6 WAYS - 1"	364	24x19	2
9867R007	7 WAYS - 1"	414	24x19	2
9867R008	8 WAYS - 1"	464	24x19	2
9867R009	9 WAYS - 1"	514	24x19	2
9867R010	10 WAYS - 1"	564	24x19	2
9867R011	11 WAYS - 1"	614	24x19	2
9867R012	12 WAYS - 1"	664	24x19	2
9868R002	2 WAYS - 1" (*)	164	Eurocono	2
9868R003	3 WAYS - 1" (*)	214	Eurocono	2
9868R004	4 WAYS - 1" (*)	264	Eurocono	2
9868R005	5 WAYS - 1" (*)	314	Eurocono	2
9868R006	6 WAYS - 1" (*)	364	Eurocono	2
9868R007	7 WAYS - 1" (*)	414	Eurocono	2
9868R008	8 WAYS - 1" (*)	464	Eurocono	2
9868R009	9 WAYS - 1" (*)	514	Eurocono	2
9868R010	10 WAYS - 1" (*)	564	Eurocono	2
9868R011	11 WAYS - 1" (*)	614	Eurocono	2
9868R012	12 WAYS - 1" (*)	664	Eurocono	2

CONTROLLER

SINGLE BAR DISTRIBUTION BRASS MANIFOLD



Components

Material

1	Manifold	UNI EN 12168 CW614N
2	Seals	EPDM

All manifold distribution Controller and accessories are nickel plated.

EN GENERAL FEATURES

- Main connection 3/4", 1" and 1 1/4"
- Connection for seals 24x19, 3/4" Eurocono
- Takeoffs at 36 mm or 50 mm centres
- Upper union connection G 1/2" F

OPERATING CONDITIONS

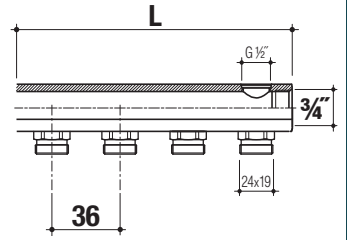
- Maximum working temperature: +110 °C
- Maximum working pressure: 10 bar
- Instructions and diagrams in the Technical Attachments.

GP 2750
CONTROLLER



Takeoffs at **36 mm** centres.

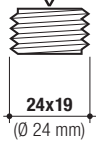
3/4" distribution manifold nickel-plated, complete with 24x19 takeoff connections, with hole on upper side for bleed valve. Takeoffs at 36 mm centres.



Available only on request.

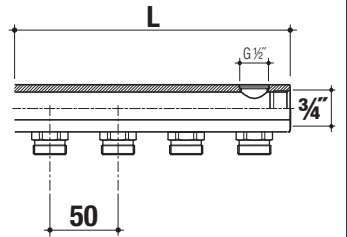
CODE	Model	L mm	Takeoff	Pack pcs/box
9758R002	2 WAYS - 3/4"	85	24x19	4
9758R003	3 WAYS - 3/4"	121	24x19	4
9758R004	4 WAYS - 3/4"	157	24x19	4
9758R005	5 WAYS - 3/4"	193	24x19	4
9758R006	6 WAYS - 3/4"	229	24x19	4
9758R007	7 WAYS - 3/4"	265	24x19	4
9758R008	8 WAYS - 3/4"	301	24x19	4
9758R009	9 WAYS - 3/4"	337	24x19	4
9758R010	10 WAYS - 3/4"	373	24x19	4
9758R011	11 WAYS - 3/4"	409	24x19	4
9758R012	12 WAYS - 3/4"	445	24x19	4

GP 2750
CONTROLLER



Takeoffs at **50 mm** centres.

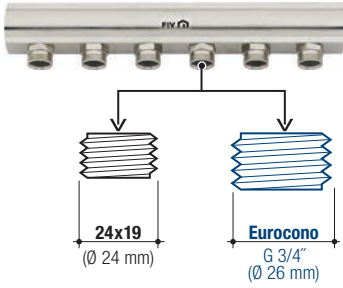
3/4" distribution manifold nickel-plated, complete with 24x19 takeoff connections, with hole on upper side for bleed valve. Takeoffs at 50 mm centres.



Available only on request.

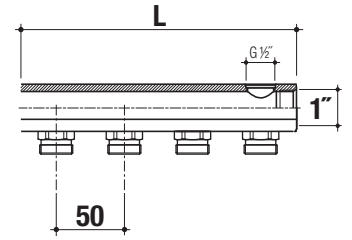
CODE	Model	L mm	Takeoff	Pack pcs/box
9759R002	2 WAYS - 3/4"	103	24x19	4
9759R003	3 WAYS - 3/4"	153	24x19	4
9759R004	4 WAYS - 3/4"	203	24x19	4
9759R005	5 WAYS - 3/4"	253	24x19	4
9759R006	6 WAYS - 3/4"	303	24x19	4
9759R007	7 WAYS - 3/4"	353	24x19	4
9759R008	8 WAYS - 3/4"	403	24x19	4
9759R009	9 WAYS - 3/4"	453	24x19	4
9759R010	10 WAYS - 3/4"	503	24x19	4
9759R011	11 WAYS - 3/4"	553	24x19	4
9759R012	12 WAYS - 3/4"	603	24x19	4

GP 2750
CONTROLLER



Take offs at 50 mm centres.

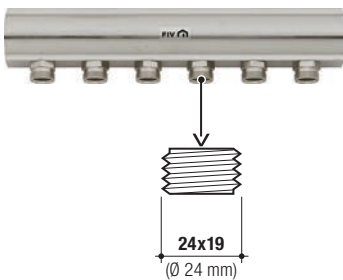
1" distribution manifold nickel-plated, complete with 24x19 or 3/4" Eurocono takeoff connections, with hole on upper side for bleed valve. Takeoffs at 50 mm centres.



Available only on request.

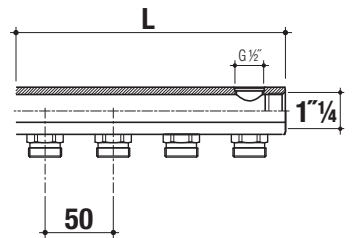
CODE	Model	L mm	Takeoff	Pack pcs/box
9761R002	2 WAYS - 1"	114	24x19	4
9761R003	3 WAYS - 1"	164	24x19	4
9761R004	4 WAYS - 1"	214	24x19	4
9761R005	5 WAYS - 1"	264	24x19	4
9761R006	6 WAYS - 1"	314	24x19	4
9761R007	7 WAYS - 1"	364	24x19	4
9761R008	8 WAYS - 1"	414	24x19	4
9761R009	9 WAYS - 1"	464	24x19	4
9761R010	10 WAYS - 1"	514	24x19	4
9761R011	11 WAYS - 1"	564	24x19	4
9761R012	12 WAYS - 1"	614	24x19	4
9762R002	2 WAYS - 1"	114	Eurocono	4
9762R003	3 WAYS - 1"	164	Eurocono	4
9762R004	4 WAYS - 1"	214	Eurocono	4
9762R005	5 WAYS - 1"	264	Eurocono	4
9762R006	6 WAYS - 1"	314	Eurocono	4
9762R007	7 WAYS - 1"	364	Eurocono	4
9762R008	8 WAYS - 1"	414	Eurocono	4
9762R009	9 WAYS - 1"	464	Eurocono	4
9762R010	10 WAYS - 1"	514	Eurocono	4
9762R011	11 WAYS - 1"	564	Eurocono	4
9762R012	12 WAYS - 1"	614	Eurocono	4

GP 2750
CONTROLLER



Takeoffs at 50 mm centres.

1 1/4" distribution manifold nickel-plated, complete with 24x19 takeoff connections, with hole on upper side for bleed valve. Takeoffs at 50 mm centres.



Available only on request.

CODE	Model	L mm	Takeoff	Pack pcs/box
9763R004	4 WAYS - 1 1/4"	220	24x19	2
9763R005	5 WAYS - 1 1/4"	270	24x19	2
9763R006	6 WAYS - 1 1/4"	320	24x19	2
9763R007	7 WAYS - 1 1/4"	370	24x19	2
9763R008	8 WAYS - 1 1/4"	420	24x19	2
9763R009	9 WAYS - 1 1/4"	470	24x19	2
9763R010	10 WAYS - 1 1/4"	520	24x19	2
9763R011	11 WAYS - 1 1/4"	570	24x19	2
9763R012	12 WAYS - 1 1/4"	620	24x19	2