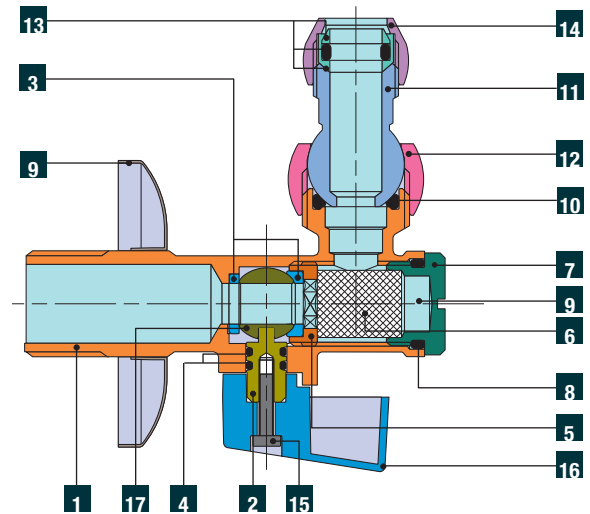


FILTER KING

ANGLE BIBCOCK



Components

Components	Pcs	Material
1 Body	1	UNI EN 12165 CW617N - DW
2 Stem	1	UNI EN 12165 CW617N - DW
3 Ball seal seats	2	P.T.F.E.
4 Stem-ball seal O-ring	2	EPDM Peroxidic 70 Sh A (ASTM D2240)
5 Ring nut sleeve	1	UNI EN 12164 CW617N - DW
6 Filter	1	Steel AISI 304/L
7 Filter plug	1	UNI EN 12164 CW617N - DW
8 Plug seal O-ring	1	EPDM Peroxidic 70 Sh A (ASTM D2240)
9 Rosette	1	Steel inox
10 Swivel joint seal O-ring	1	EPDM Peroxidic 70 Sh A (ASTM D2240)
11 Swivel joint	1	UNI EN 12164 CW617N - DW
12 Swivel nut	1	UNI EN 12165 CW617N - DW UNI EN 12164 CW617N - DW
13 3-piece cartridge seal	1	Brass + Daplen + EPDM
14 Nut	1	UNI EN 12165 CW617N - DW UNI EN 12164 CW617N - DW
15 Screw	1	Zinc-plated Steel
16 Lever	1	Chromed-plated ABS
17 Ball	1	UNI EN 12165 CW617N - DW UNI EN 12164 CW617N - DW

EN GENERAL CHARACTERISTICS

Range: From 3/8" to 1/2"
 Male fitting: Threading UNI EN ISO 228/1 (DIN 259)
 Functioning: 90° degrees rotation of operating device.
 Operating device: Gloss chromed ABS lever.

OPERATING CONDITIONS

Flow direction: Both ways.
 Minimum and maximum operating temperature: -20 °C/+90 °C **
 Maximum pressure (T=90 °C): 10 bar
 Nominal pressure (T=20 °C): 10 bar
 ** In absence of steam; for temperatures below 0 °C use mixes of water and glycol.

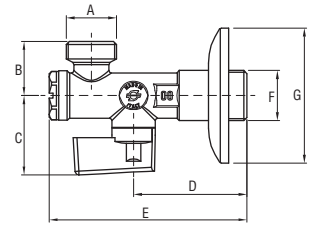
Valves must be used in fully open or fully closed position.

These valves must be used with the pressure set forth in the catalogue and are suitable for domestic hot and cold water distribution systems (Ref. Directive 2014/68/EU, art. 13). For special uses (in compliance with the pressures set out for these valves and the compatibility of the different fluids with the materials making up the valve) see chemical compatibility chart in the technical annexes of the current catalogue.

The CW617N-DW brass, the Teflon (P.T.F.E.), and the O-Rings in EPDM Peroxidic in contact with the fluid, are in compliance with the Italian Ministerial Decree n. 174 (dated 06/04/2004).

GP 2150
FILTER KING

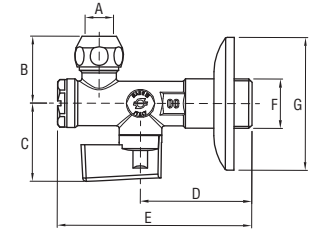
Chromed ball-valve bibcock under sink with male-male filter, lever, rosette and flat seal.



CODE	Size	A	B	C	D	E	F	G	gr	DN	Pack pcs/box	Master pcs/box
		mm	mm	mm	mm	mm		mm				
8914C023	1/2"x3/8"	G3/8"B	22,5	33	47	82	G1/2"B	56	128	15	24	96
8914C025	1/2"x1/2"	G1/2"B	22,5	33	47	82	G1/2"B	56	135	15	24	96

GP 2150
FILTER KING

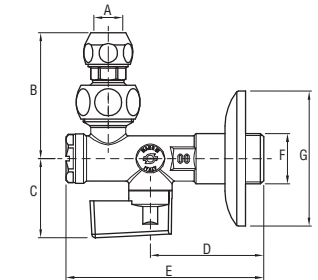
Chromed ball-valve bibcock under sink with male filter, lever, rosette, nut and seal cartridge.



CODE	Size	A	B	C	D	E	F	G	gr	DN	Pack pcs/box	Master pcs/box
		mm	mm	mm	mm	mm		mm				
8915C310	1/2" x 10	10	31,5	33	47	82	G1/2"B	56	138	15	24	96

GP 2150
FILTER KING

Chromed ball-valve bibcock under sink with male filter with swivel joint, lever, rosette, nut and seal cartridge.



CODE	Size	A	B	C	D	E	F	G	gr	DN	Pack pcs/box	Master pcs/box
		mm	mm	mm	mm	mm		mm				
8916C310	1/2" x 10	10	56	33	47	82	G1/2"B	56	190	15	24	96