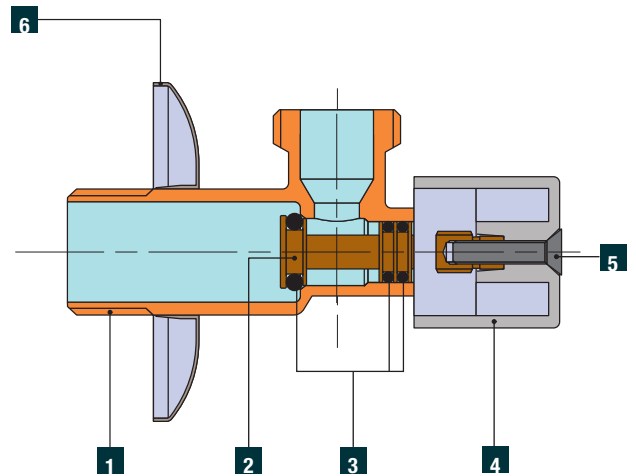


TWISTER

ANGLE BIBCOCK



Components	Pcs	Material
1 Body	1	UNI EN 12165 CW617N - DW
2 Stem	1	UNI EN 12164 CW617N - DW
3 Stem seal O-Ring	3	EPDM Peroxidic 70 Sh A (ASTM D2240)
4 Lever	1	ABS, chromed
5 screw	1	Zinc-plated Steel
6 Rosette	1	Steel
* Ogive seal cartridge	1	Brass + Daplen + NBR
* Nut	1	UNI EN 12165 CW617N - DW UNI EN 12164 CW617N - DW

EN GENERAL CHARACTERISTICS

Range: From 3/8" to 1/2"

Male fitting: Threading UNI EN ISO 228/1 (DIN 259)

Functioning: rotation of lever all the way down.

Operating device: Lever in chromed ABS with open/closed indicators.

OPERATING CONDITIONS

Flow direction: Both ways.

Minimum and maximum operating temperature: -20 °C/+90 °C **

Maximum pressure (T=90 °C): 10 bar

Nominal pressure (T=20 °C): 10 bar

** In absence of steam; for temperatures below 0 °C use mixes of water and glycol.

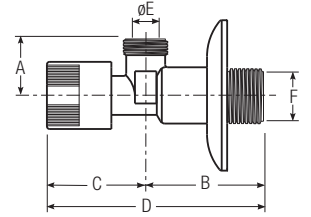
Valves must be used in fully open or fully closed position.

These valves must be used with the pressure set forth in the catalogue and are suitable for domestic hot and cold water distribution systems (Ref. Directive 2014/68/EU, art. 13). For special uses (in compliance with the pressures set out for these valves and the compatibility of the different fluids with the materials making up the valve) see chemical compatibility chart in the technical annexes of the current catalogue.

The CW617N-DW brass, the Teflon (P.T.F.E.), and the O-Rings in EPDM Peroxidic in contact with the fluid, are in compliance with the Italian Ministerial Decree n. 174 (dated 06/04/2004).

GP 2150
TWISTER

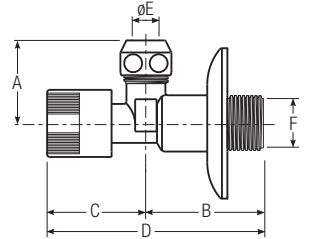
Chromed angle bibcock under sink, male-male, with lever, rosette and flat seal.



CODE	Size	A mm	B mm	C mm	D mm	øE mm	F	gr	Pack pcs/box	Master pcs/box
08100010	3/8" - 1/2"	22	44,5	37	81,5	10	1/2"	105	30	120
08100020	1/2" - 1/2"	25	44,5	37	81,5	12	1/2"	116	30	120

GP 2150
TWISTER

Chromed angle bibcock under sink, male, with lever, rosette and flat seal.



CODE	Size	A mm	B mm	C mm	D mm	øE mm	F	gr	Pack pcs/box	Master pcs/box
08100012	1/2"x10	31	44,5	37	81,5	10	1/2"	112	30	120